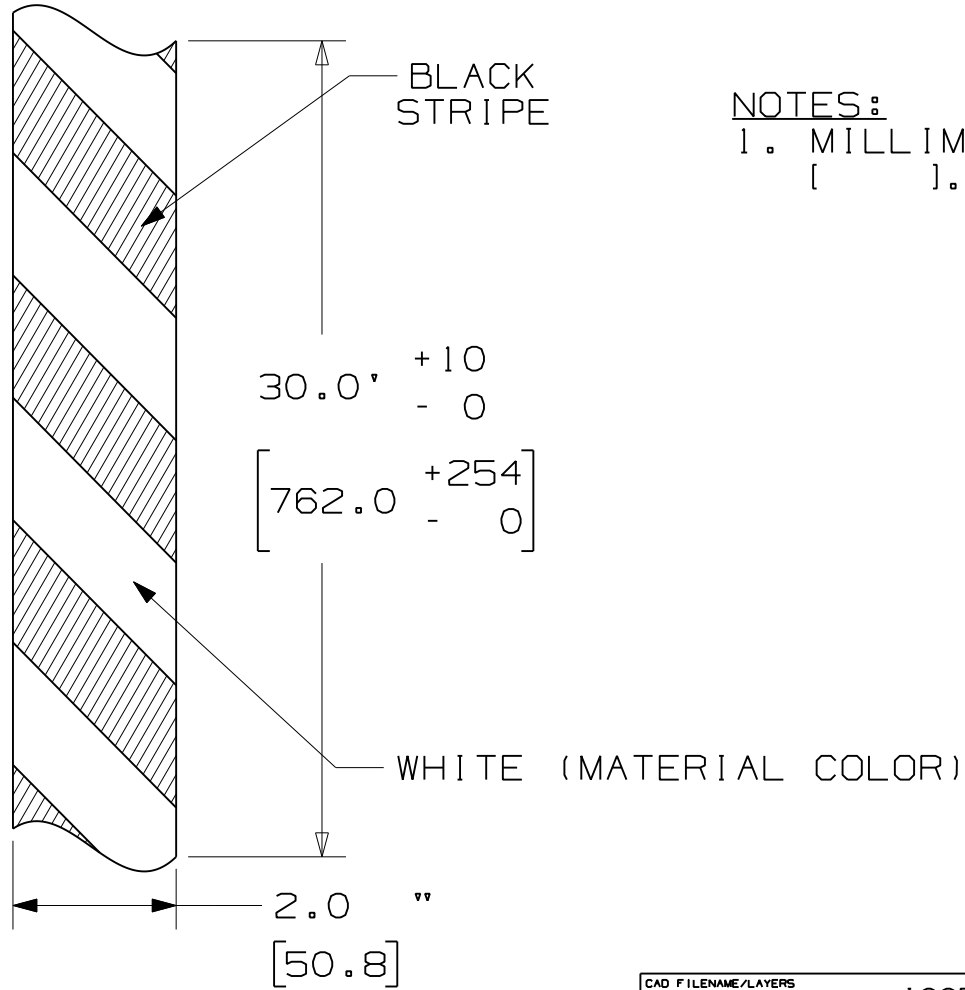


THIS COPY IS PROVIDED ON A RESTRICTED BASIS AND IS NOT TO BE USED IN ANY WAY DETRIMENTAL TO THE INTERESTS OF PANDUIT CORP.



NOTES:
1. MILLIMETERS ARE IN [].

CAD FILENAME/LAYERS 100569AG-DC-C10941/01A

REV	DATE	BY	CHK'D	DESCRIPTION	ECN	R	CUST	SUP
0	9/15/11	RVU		DRAWING RELEASE.	6514	R		

<h1>PANDUIT</h1> CORP. TINLEY PARK, ILLINOIS		CUSTOMER DRAWING PHOTOLUMINESCENT BLACK & WHITE HAZARD TAPE PT2S-BLK 2.0" X 30.0'	
		UNLESS OTHERWISE SPECIFIED, DIMENSIONAL TOLERANCES ARE: (.X) ± .062 (.XXX) ± .025 (.XX) ± .031 ANGLES ±	UNLESS OTHERWISE SPECIFIED, ALL DIMENSIONS ARE GIVEN IN INCHES, THIRD ANGLE PROJECTION.
DRAWN BY RVU	MAT'L: PS PHOTOLUMINSCENT GMY-GLOW	SCALE NTS	DRAWING NO. C10941
DATE 9/15/11	CHK'D 	DWG A	SIZE